

A

B

C

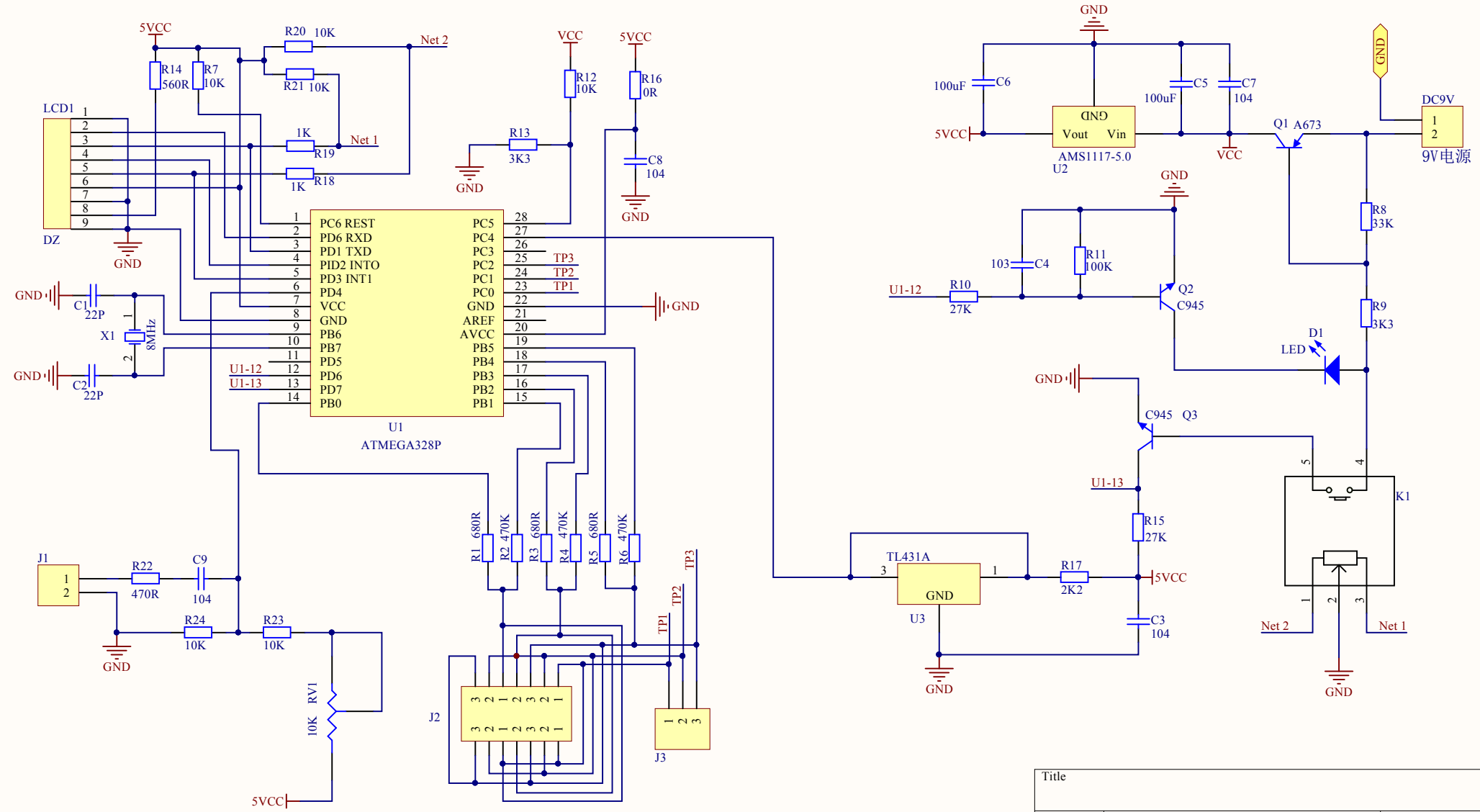
D

1

2

3

4



Title		
Size	Number	Revision
A4		
Date:	2016/6/30	Sheet of
File:	E:\GMS328.SCHDOC	Drawn By:

1

2

3

4